

Smarter models. Diverse solutions. Software that connects.

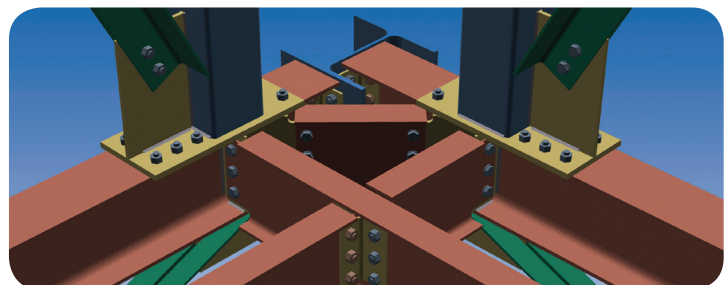
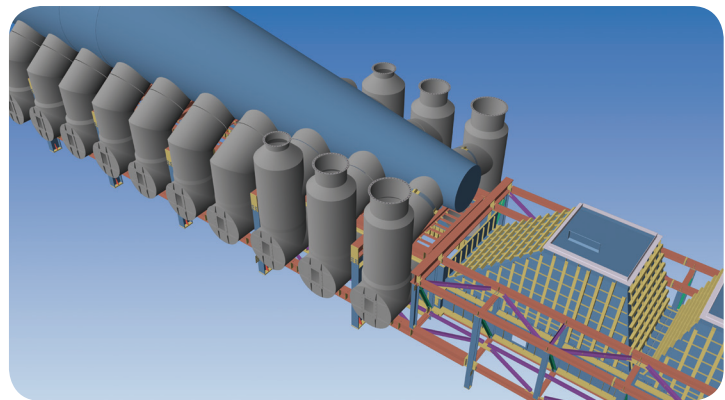
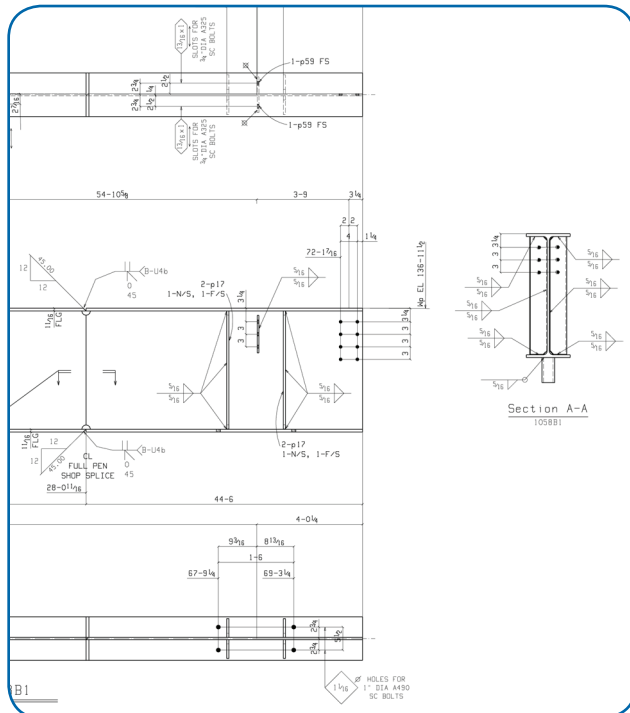


SDS/2 Detailing offers the highest level of **automation** and **intelligence** available in 3D steel detailing. With unparalleled connection design intelligence and high-quality drawing production, SDS/2 gives you **the power to get the job done**.

As the detailer inputs members, like columns and beams, connections are automatically designed with their necessary materials, bolts, holes and welds. SDS/2 Detailing takes a uniquely intelligent approach in its connection design by considering framing conditions and erectibility, automatically performing clash prevention as a part of its connection design. In addition, SDS/2 Detailing can value engineer the connections on a project, helping users to design the most economical connections to fabricate and erect. No other 3D detailing product can do this automatically.

Details and submaterial and erection drawings are automatically generated by SDS/2 Detailing, whose unmatched drawing quality saves more time on shop drawings. But drawings are no longer the only requirement of detailers. SDS/2 Detailing also provides CNC data, MRP information and 3D models, giving detailers all the tools needed to start profiting from their investment.

SDS/2 Detailing is one of the most flexible products on the market, and truly provides users with the results needed to get the job done. From detailing and fabricating entirely from the model using model approval and CNC files, to building the model and providing detail sheets generated from the model — or any workflow in between — SDS/2 Detailing handles all your detailing needs. [Learn more at sds2.com/detailing](http://sds2.com/detailing).



Copyright © 2011 Design Data, Inc. All rights reserved.